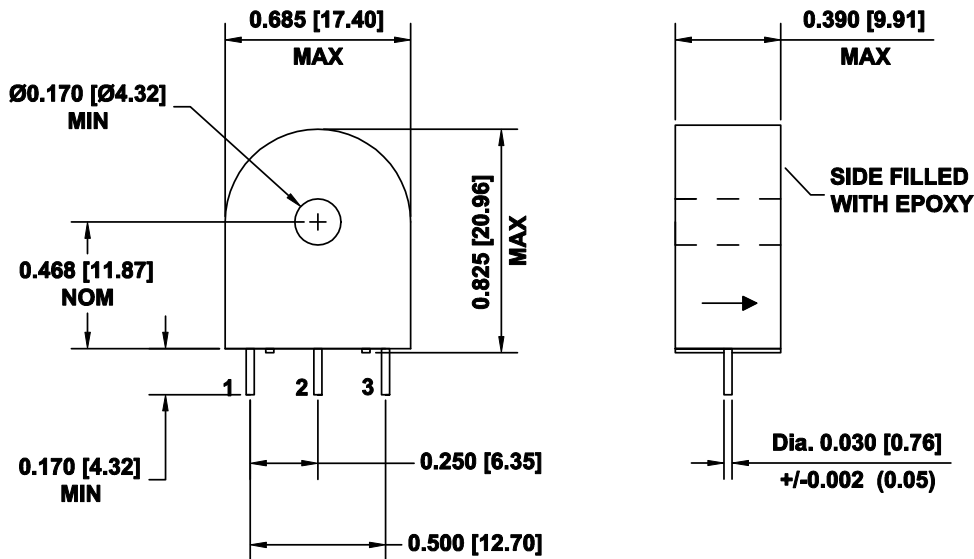


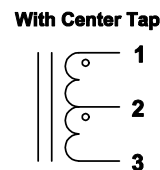
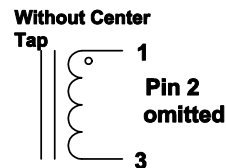
Current Sense Transformers

CSI SERIES WITHOUT PRIMARY TURN

- Designed for switching power supply applications.
- Frequency range of 20 KHz and higher.
- Minimum material thickness from hole I.D to coil is 0.50mm.
- Molded construction with through-hole for primary lead.



SCHEMATIC

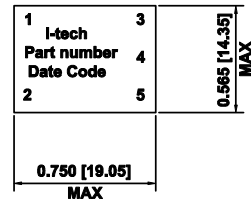
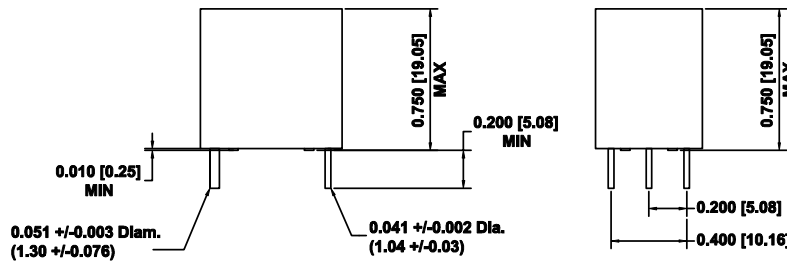


MODEL NUMBER	SECONDARY TURNS	MINIMUM SECONDARY INDUCTANCE mH	I PEAK A
CSI-0050	50	5.0	20
CSI-0100	100	20.0	20
CSI-0200	200	80.0	20
CSI-0050-CT	50 CT	5.0	20
CSI-0100-CT	100 CT	20.0	20
CSI-0200-CT	200 CT	80.0	20
CSI-0300-CT	300 CT	180.0	20

Current Sense Transformers

CST SERIES WITH ONE SINGLE TURN PRIMARY

- Single primary turn included.
- Designed for switching power supply applications.
- Transformer meets IEC950 insulation requirements.
- 3750 Vrms primary to secondary hi-pot tested.
- Frequency range of 20 KHz and higher.
- Encapsulated construction.



PIN 4 OMITTED ON UNITS WITHOUT CENTER TAP

MODEL NUMBER	SECONDARY TURNS	MINIMUM SECONDARY INDUCTANCE mH	I PEAK A
CST-0050-1T	50	5.0	20
CST-0100-1T	100	20.0	20
CST-0200-1T	200	80.0	20
CST-0050-1TCT	50 CT	5.0	20
CST-0100-1TCT	100 CT	20.0	20
CST-0200-1TCT	200 CT	80.0	20
CST-0300-1TCT	300 CT	180.0	20

SCHEMATIC

